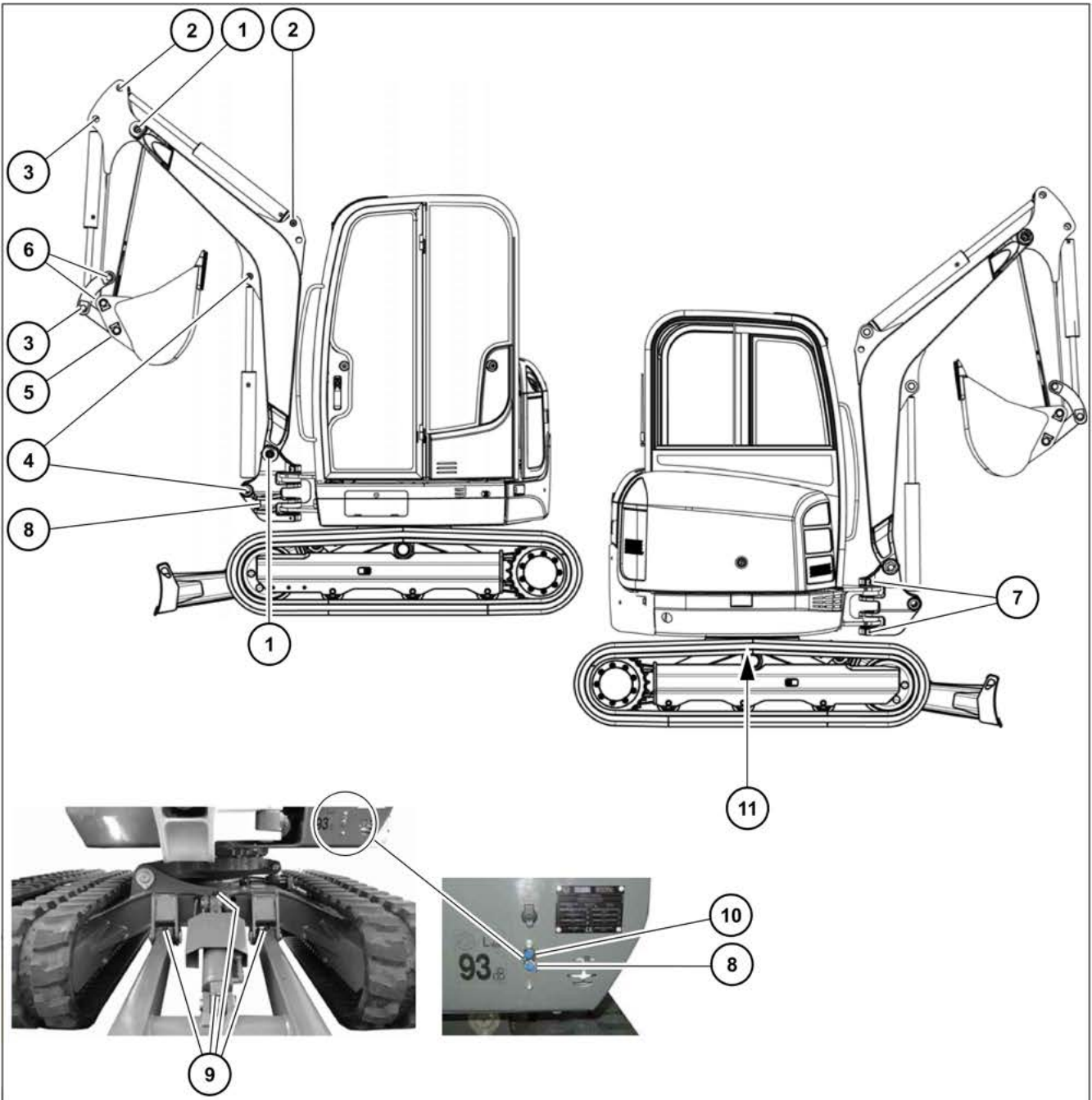
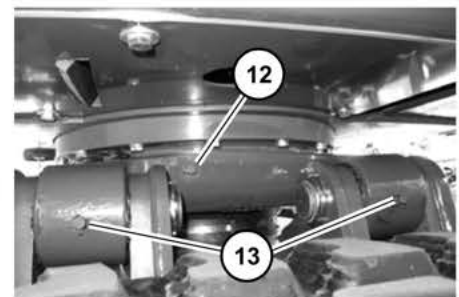
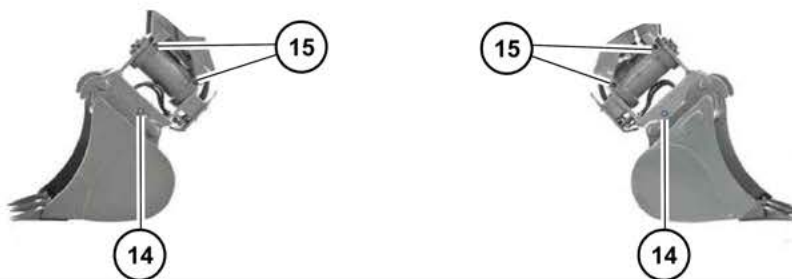


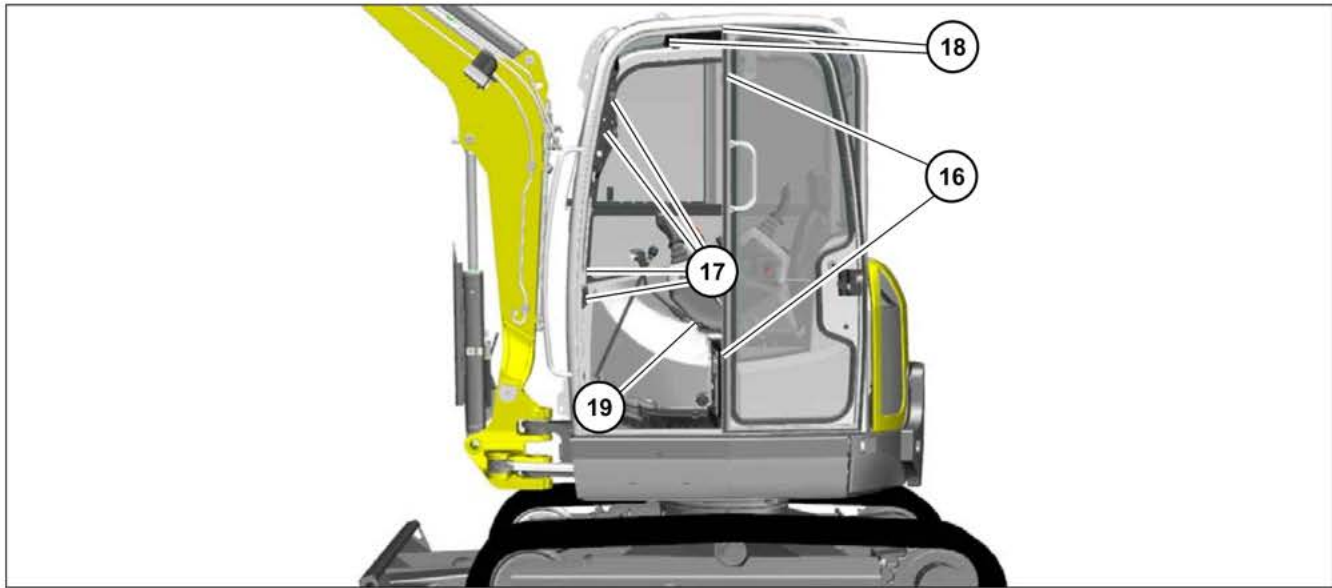
Lubrication plan



Powerlift with hydraulic Easy Lock quickhitch (option)

VDS vertical digging system (option)





Position	Lubrication point	Interval	Quantity
1.	Boom	Daily	2
2.	Stick cylinder	Daily	2
3.	Bucket cylinder	Daily	2
4.	Boom cylinder	Daily	2
5.	Joint rod	Daily	1
6.	Shovel arm	Daily	2
7.	Swiveling console	Daily	2
8.	Swiveling cylinder	Daily	2
9.	Stabilizer blade/cylinder	Daily	4
10.	Live ring (ball bearing)	Every week	1
11.	Live ring gears	1000 operating hours	1
12.	Live ring gear (VDS) (option)	Every week	1
13.	Vertical Digging System (VDS) (option)	Every week	2
14.	Hydraulic quickhitch (option)	Daily	2
	Hydraulic quickhitch claw	Every week	--
15.	Power tilt (option)	Daily	4
16.	Door hinges (cabin option)	Every week	2
17.	Pin, lock notch and lock (cabin option)	Every week	4
18.	Front window rail (cabin option)	Every week	2
19.	Control lever base	Every week	3

Green means: lubrication every 50 hours or once a week.

Blue means: lubrication every 10 hours or daily.