

# SW10

## Skid Steer Wheel Loader



**WACKER  
NEUSON**  
*all it takes!*



### Versatility is the real driver of this machine

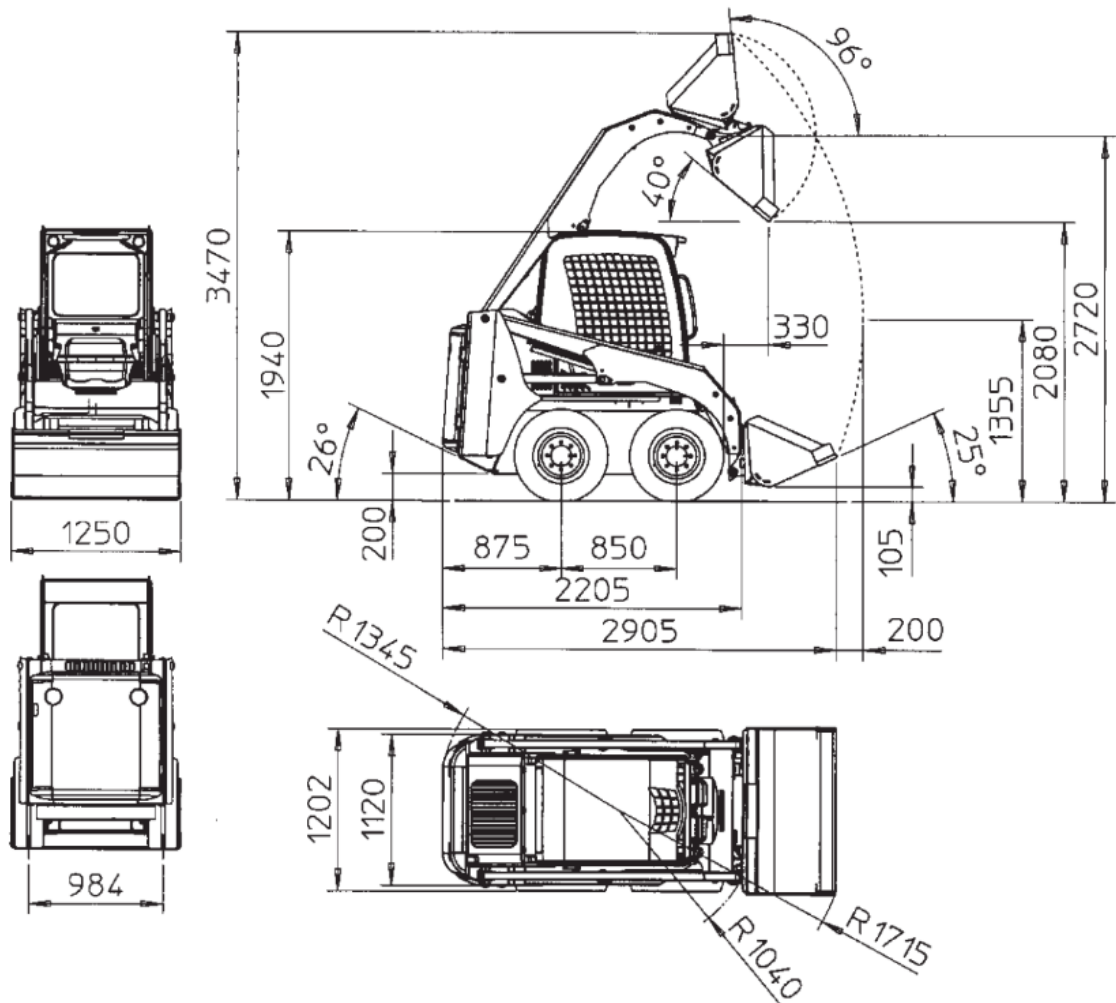
The versatile SW10 Skid Steer Wheel Loader is an excellent addition to any hire or contractor fleet and is the perfect fit for landscaping projects, light site work, grading, auguring, general material handling and much more!

- Skid steer loader with hydrostatic transmission realized with double axial pistons pump with variable displacement and four gear motors, sequently connected, on single wheels; (no chain drive).
- Hydraulic servo-controls to operate booms, bucket and travelling.
- Wide and comfortable driving place with canopy, lifted by springs, for rapid access and maintenance; FOPS, ROPS protection.
- The tilting safety bar side which safely disconnects all the servo controls when it is lifted, can be used also as an arm rest to comfortably use the joysticks.
- Hydraulic power take off (PTO) to use various attachments.
- Quick hitches for predisposed buckets and various tools.

## SW10 Technical specifications

Rated Operating Capacity	450 kg
Break-out force	930 daN
Operating weight	1,850 kg
Travel speed	0-10 Km/h
Operating pressure - ground	180 bar
Lifting force (from ground)	1,030 daN
Pressure - auxiliary	39 l/min
Engine / Motor	Kubota D1703
Power	34.5 hp
Fuel tank capacity	42 litres

## SW10 Dimensions



Please note: that product availability can vary from country to country. It is possible that information / products may not be available in your country. More detailed information on engine power can be found in the operator's manual; the stated power may vary due to specific operating conditions. Subject to alterations and errors excepted. Applicable also to illustrations.

Copyright © 2022 Wacker Neuson SE.