

Track dumper
0.5–2.5t payload



**WACKER
NEUSON**



A whole load of value for money.
Strong means of transport, for every job.

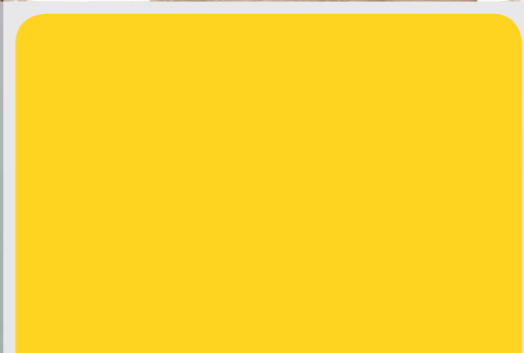


The right transporter for every job. Our new track dumpers: 5 models, 29 possibilities.

WHERE MATERIAL GETS MOVED, ALSO A DUMPER IS OFTEN MOVING.

"Track dumpers from Wacker Neuson are built for challenging work on difficult terrain, and can handle steep slopes with ease. Powerful, durable, user-friendly, robustly designed and secure – Wacker Neuson track dumpers are THE means of transport for demolition, interior work, agriculture and gardening or landscaping. With 5 new models and 29 possible configurations in the compact class, the right track dumper is available from Wacker Neuson to suit every need."

Steffen Wiesener,
Wacker Neuson product manager



DT05

The space saving miracle: DT05.

FRONT-TIPPING

HIGH-TIPPING

SWIVEL-TIPPING

3-WAY SIDE-TIPPING
PLATFORM

FRONT-TIPPING PLATFORM

CONCRETE MIXER

**ULTRA-COMPACT
DIMENSIONS:**
only 66 cm
machine width.



The DT05 track dumper from Wacker Neuson can be manoeuvred with centimetre-accuracy over any surface thanks to its compact dimensions and its precise drivability. It really comes into its own in conditions where space is tight and manoeuvrability is a must.

- 1 Track dumper with optional high-tipping skip.
- 2 Maximum ground clearance and compact dimensions make for unimpeded manoeuvrability both in building interiors and outdoors.
- 3 A powerful engine (petrol or diesel), along with generous servicing and maintenance access.



Wacker Neuson factors:

- Easy, comfortable operation thanks to the fully-hydrostatic drive.
- 2-stage speed adjustment.
- Robust crawler design, guaranteeing durability and low wear and tear.
- Optimal ratio between low tare weight and maximum payload.
- Ultra-compact dimensions (66cm), ideal for tight working conditions and passage through standard doorways.
- High ground clearance.
- Powerful engine variants (petrol or diesel).
- Optionally available with high-tipping skip.



DT08

The rental park pro: DT08.

FRONT-TIPPING

HIGH-TIPPING

SWIVEL-TIPPING

3-WAY SIDE-TIPPING
PLATFORM

FRONT-TIPPING PLATFORM

CONCRETE MIXER



800 kg
PAYLOAD
for just
79 cm
MACHINE
WIDTH.

1 Track dumper with optional high-tipping skip.

2 Easy to operate. Everything within view and within easy reach. The control console is designed for intuitive operation. Low hand/arm vibrations make for pleasant working conditions.

3 A powerful engine (petrol or diesel), along with generous servicing and maintenance access.

4 Powerful hydraulic system with a unique cooling system.



1



2



3



4

Wacker Neuson factors:

- Easy, comfortable operation thanks to the fully-hydrostatic drive.
- Robust crawler design, guaranteeing durability and low wear and tear.
- Optimal ratio between low tare weight and maximum payload.
- Compact dimensions (79 cm), ideal for tight working conditions and passage through standard doorways.
- The rubber track and the optimum weight distribution reduce the ground pressure and prevent damage to fragile surfaces.
- Cooling system designed specifically to suit the machine, guaranteeing its deployability even in places with high temperatures.
- High ground clearance.
- Powerful engine variants (petrol or diesel).
- Optionally available with self-loading system and high-tipping skip.

DT08

For technology and equipment, it's got the lot:
DT08 proline.

FRONT-TIPPING

HIGH-TIPPING

SWIVEL-TIPPING

3-WAY SIDE-TIPPING
PLATFORM

FRONT-TIPPING PLATFORM

CONCRETE MIXER



Thanks to the simple equipment changing system, it is child's play to switch between skip, concrete mixer and platform. This means that a single track dumper is all that you need for a wide variety of jobs.

1 Easy to operate.

Everything within view and within easy reach. The control console is designed for intuitive operation. Low hand/arm vibrations make for pleasant working conditions.

2 Powerful engine, along with generous servicing and maintenance access.

3 Track dumper with optional high-tipping skip. Capacity of self-loading bucket 65l.

4 Optional front-tipping platform with hinged side panels offering a loading surface of 1,390x1,470mm.

5 Optional concrete mixer with mixing capacity of 180l. Capacity of the quick-loading bucket 38l.

Wacker Neuson factors:

- Easy, comfortable operation thanks to the fully-hydrostatic drive.
- Use of two variable pumps guaranteeing high performance levels when operating the machine.
- Powerful diesel engine (9.6kW).
- Centrally fitted, specially designed control console with low hand/arm vibration transference.
- Compact dimensions (80cm), ideal for tight working conditions and traversing passageways.
- The rubber track and the optimum weight distribution reduce the ground pressure and prevent damage to fragile surfaces.
- High ground clearance.
- Versatile equipment possibilities: Front-tipping skip, high-tipping skip, front-tipping platform, use of hydraulically driven, high-volume concrete mixer possible.



DT12

Looks good wherever it is:
DT12.

FRONT-TIPPING

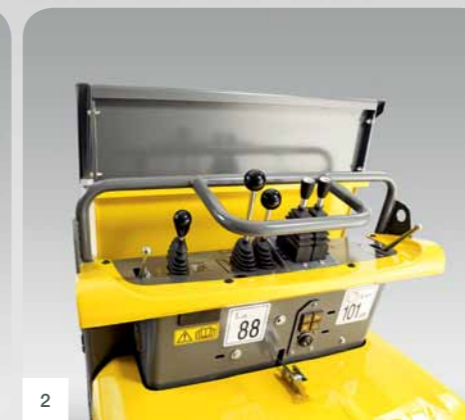
HIGH-TIPPING

SWIVEL-TIPPING

3-WAY SIDE-TIPPING
PLATFORM

FRONT-TIPPING PLATFORM

CONCRETE MIXER



1 Track dumper with optional high-tipping skip.

2 Easy to operate. Everything within view and within easy reach. The control console is designed for intuitive operation.

3 Powerful engine, along with generous servicing and maintenance access.

4 Suspended pendular rollers make for the smoothest of rides.

Wacker Neuson factors:

- Easy, comfortable operation thanks to the fully-hydrostatic drive.
- Ideal transporter on all surfaces, including gravel, sand, boggy or hilly terrain.
- Robust crawler design, guaranteeing durability and low wear and tear.
- One-piece engine cover, and optimised layout of the servicing points facilitate daily maintenance.
- Cooling system designed specifically to suit the machine, guaranteeing its deployability even in places with high temperatures.
- The rubber track and the optimum weight distribution reduce the ground pressure and prevent damage to fragile surfaces.
- Optionally available with self-loading system and high-tipping skip.

DT15

Maximum working power:
DT15.

FRONT-TIPPING

HIGH-TIPPING

SWIVEL-TIPPING

3-WAY SIDE-TIPPING
PLATFORM

FRONT-TIPPING PLATFORM

CONCRETE MIXER



1 A powerful engine (petrol or diesel), along with generous servicing and maintenance access.

2 Auxiliary hydraulics as standard: 20 l/min, 170 bar.

3 Optional concrete mixer with a capacity of 360 l. Self-loading bucket 70 l.



Wacker Neuson factors:

- Easy, comfortable operation thanks to the fully-hydrostatic drive.
- ROPS rollbar, collapsible for negotiating low-headroom passageways.
- Ideal transporter on all surfaces, including gravel, sand, boggy or hilly terrain.
- One-piece engine cover, and optimised layout of the servicing points facilitate daily maintenance.
- Low centre of gravity for increased stability, and guaranteed gradeability on inclines of up to 62 %.
- Auxiliary hydraulics as standard for operating additional accessories (e.g., concrete mixer, breaker, etc.).
- Stable, robust, hydraulic tipping skip variants, such as the front-tipping skip, high-tipping skip, 3-way side-tipping platform or the hydraulically operated, high-volume concrete mixer.



DT25

Tons of benefits:
DT25.

FRONT-TIPPING

HIGH-TIPPING

SWIVEL-TIPPING

3-WAY SIDE-TIPPING
PLATFORM

FRONT-TIPPING PLATFORM

CONCRETE MIXER



MAXIMAL
PAYLOAD:
2,5 t.

- 1 Swivelling driver's position with joystick control and logic control of the drive direction. All controls and displays can be easily operated, independently of the drive direction.
- 2 Collapsible ROPS rollbar for passageways with low headroom.
- 3 One-piece engine cover with large opening angle to guarantee excellent servicing and maintenance access.

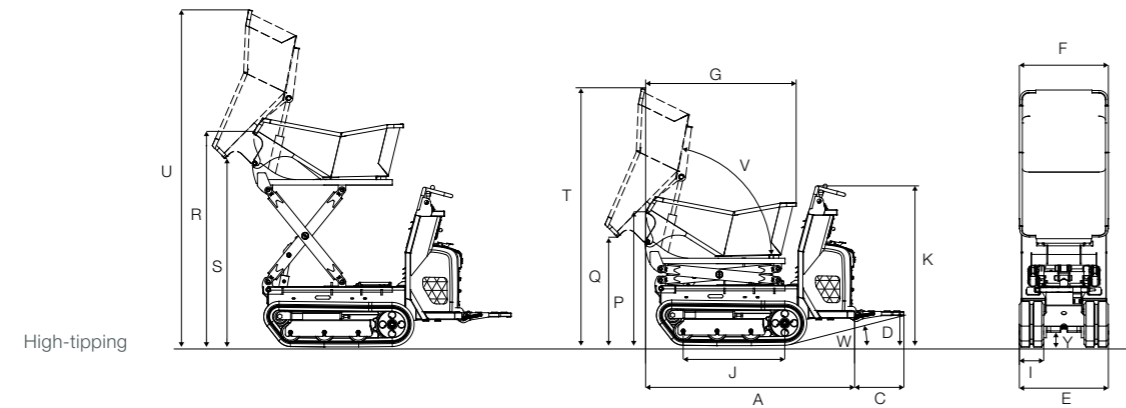


Wacker Neuson factors:

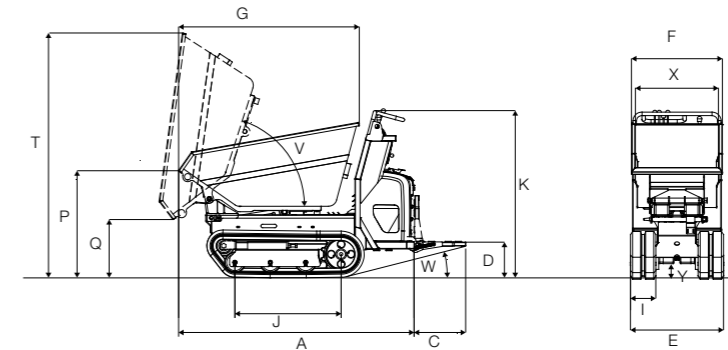
- Fully hydraulic drive operated via joystick, collapsible rollbar for low-headroom passageways.
- Swivelling driver's position including logic control of the drive direction, for increased productivity and reduced substrate damage.
- One-piece engine cover, and optimised layout of the servicing points facilitate daily maintenance.
- Low centre of gravity for increased stability, and guaranteed gradeability on inclines of up to 70 %.
- Swivelling driver's position, to avoid complete turning of the machine (including logic control of the drive direction), for increased productivity through faster work manoeuvres and reduction of damage to the substrate.



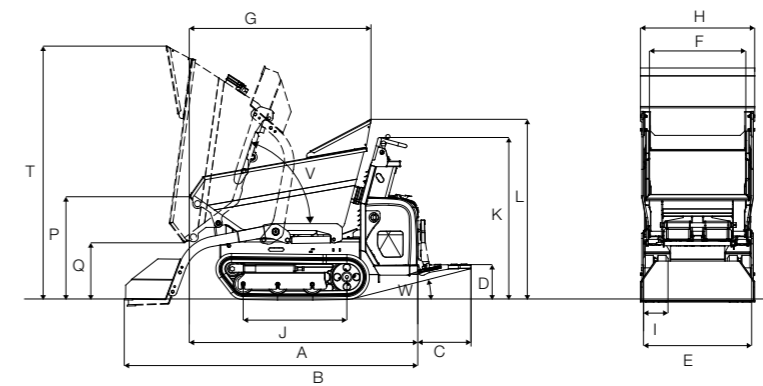
Technical data.



Front-tipping



Front-tipping (SLS*)



	DT05 P FRONT-TIPPING	DT05 P HIGH-TIPPING	DT05 D FRONT-TIPPING	DT05 D HIGH-TIPPING
--	-------------------------	------------------------	-------------------------	------------------------

	DT08 P FRONT-TIPPING	DT08 D FRONT-TIPPING	DT08 D HIGH-TIPPING
--	-------------------------	-------------------------	------------------------

DIMENSIONS

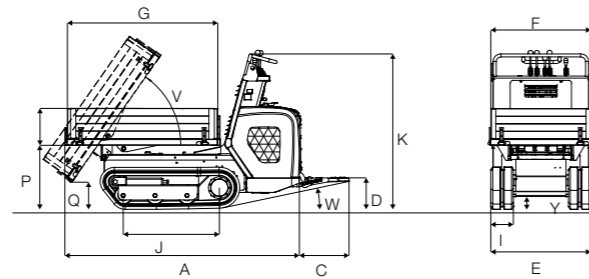
A Length (without running board) mm	1,630	1,510	1,670	1,550
B Length with self-loading system (without running board) mm	-	-	-	-
C Length of running board mm	387	387	365	365
D Height over running board mm	252	252	252	252
E Undercarriage width mm	660	660	660	660
F Skip width mm	645	660	645	660
G Skip length mm	1,280	1,116	1,280	1,118
H Width with self-loading system mm	-	-	-	-
I Track width mm	180	180	180	180
J Track length mm	753	753	753	753
K Height over control console mm	1,185	1,185	1,185	1,185
L Height over skip hand protector mm	-	-	-	-
M Concrete mixer width mm	-	-	-	-
N Height over ROPS rollbar mm	-	-	-	-
O Height over ROPS rollbar (collapsed) mm	-	-	-	-
P Height of skip front edge mm	760	993	760	993
Q Dumping height mm	410	804	410	804
R Height of skip front edge when raised mm	-	1,600	-	1,600
S Dumping height of high-tipping skip when raised mm	-	1,397	-	1,397
T Max. height, skip raised mm	1,735	1,905	1,735	1,905
U Max. height, high-tipping skip raised mm	-	2,500	-	2,500
V Skip dumping angle °	72	77	72	77
W Running board retraction angle °	15	15	14	14
X Control console width mm	446	446	446	446
Y Ground clearance mm	110	110	110	110

	1,660/1,680*	1,660/1,680*	1,545
	2132	2132	-
	388	3878	388
	257	234	234
	790	790	790
	750	750	764
	1,320	1,320	1,136
	830	-	-
	180	180	180
	753	753	753
	1,203	1,275	1,275
	1,322*	1,322*	-
	-	-	-
	-	-	-
	750	750	964
	420	420	757
	-	-	1,660
	-	-	1,426
	1,750/1,845*	1,750/1,845*	1,900
	-	-	2,570
	72	72	83
	14	13	13
	446	446	446
	110	110	110

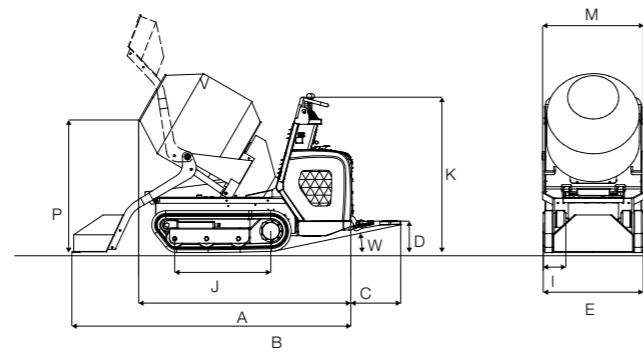
* with self-loading system (SLS)

Technical data.

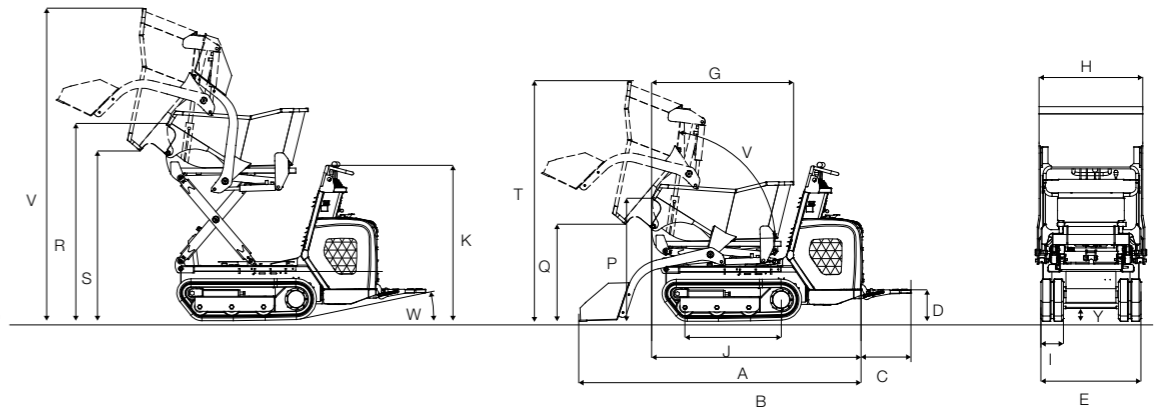
Front-tipping platform



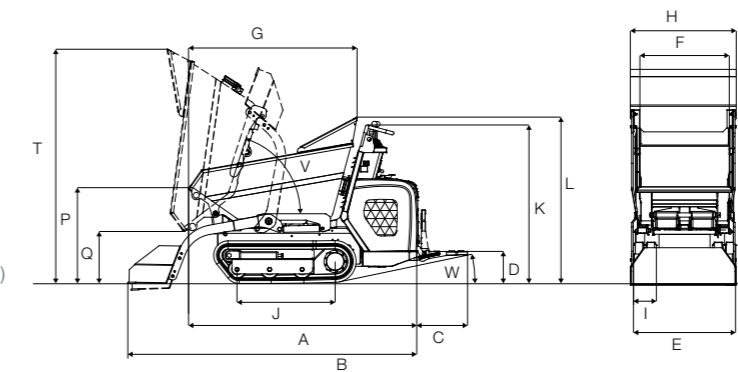
Front-tipping concrete mixer



High-tipping (SLS*)



Front-tipping (SLS*)



DT08 D proline FRONT-TIPPING DT08 D proline HIGH-TIPPING DT08 D proline PLATFORM DT08 D proline CONCRETE MIXER

DT12 FRONT-TIPPING DT12 HIGH-TIPPING

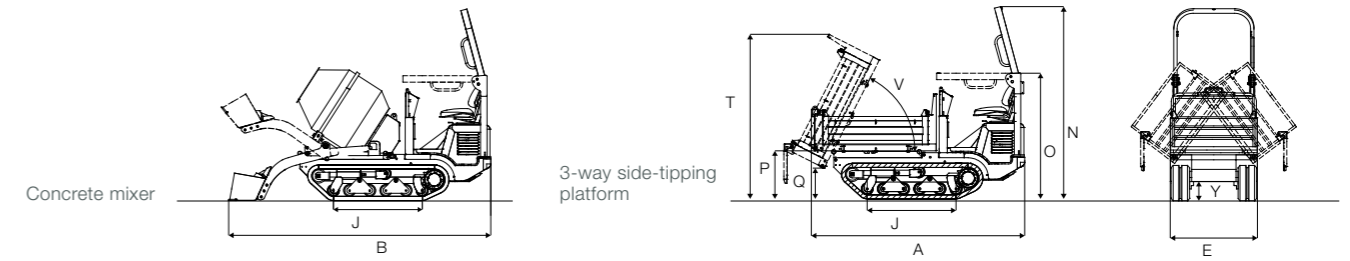
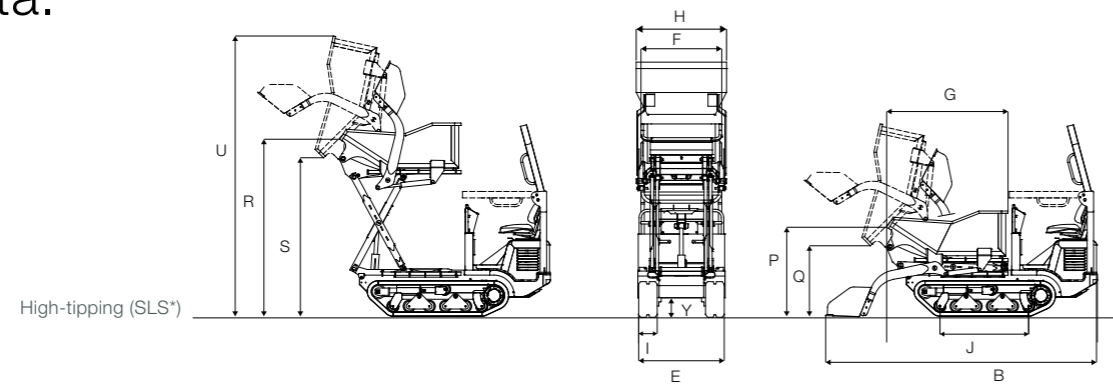
DIMENSIONS

A Length (without running board) mm	1,789	1,675	1,874	1,696
B Length with self-loading system (without running board) mm	2,264	–	–	2,226
C Length of running board mm	398	398	398	398
D Height over running board mm	250	250	250	250
E Undercarriage width mm	800	800	800	800
F Skip width mm	750	830	800	–
G Skip length mm	1,320	1,134	1,200	–
H Width with self-loading system mm	830	–	–	808
I Track width mm	180	180	180	180
J Track length mm	769	769	769	769
K Height over control console mm	1,275	1,275	1,275	1,275
L Height over skip hand protector mm	1,303	–	–	–
M Concrete mixer width mm	–	–	–	740
N Height over ROPS rollbar mm	–	–	–	–
O Height over ROPS rollbar (collapsed) mm	–	–	–	–
P Height of skip front edge mm	750	983	510	1,060
Q Dumping height mm	410	776	216	–
R Height of skip front edge when raised mm	–	1,562	–	–
S Dumping height of high-tipping skip when raised mm	–	1,357	–	–
T Max. height, skip raised mm	1,840	1,917	–	–
U Max. height, high-tipping skip raised mm	–	2,500	–	–
V Skip dumping angle °	72	82	55	–
W Running board retraction angle °	12	12	12	12
X Control console width mm	446	446	446	446
Y Ground clearance mm	100	100	100	100

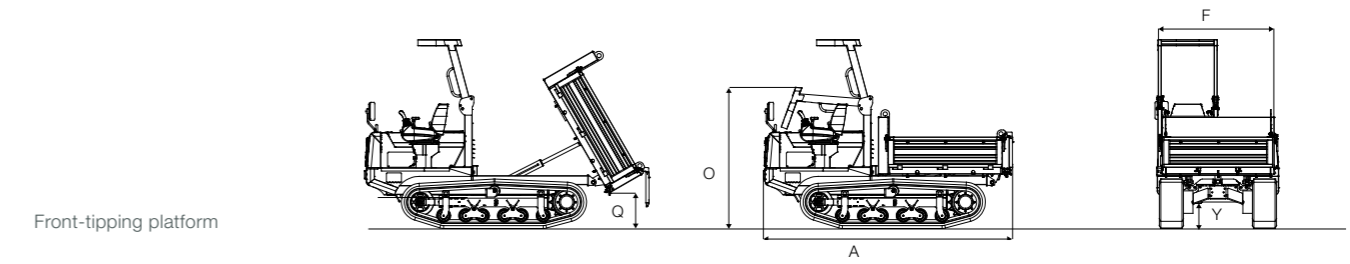
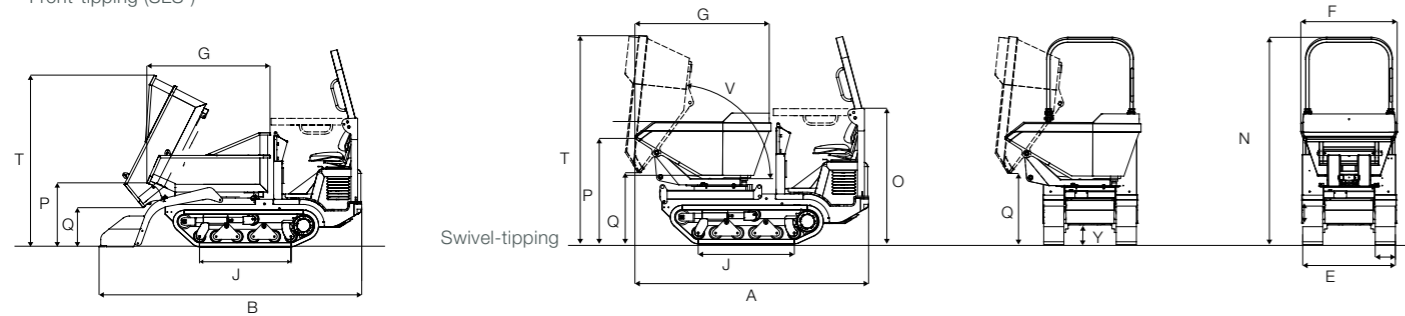
1,823	1,684
2,277	2,240
393	393
265	265
790	790
750	764
1,357	1,134
830	830
180	180
875	875
1,303	1,303
1,452*	–
–	–
–	–
812	1,076
460	868
–	1,680
–	1,467
1950	2,010
–	2,610
70	82
14	14
446	446
160	160

* with self-loading system (SLS)

Technical data.



Front-tipping (SLS*)



DT15 FRONT-TIPPING DT15 3-WAY SIDE-TIPPING PLATFORM DT15 SWIVEL-TIPPING DT15 HIGH-TIPPING

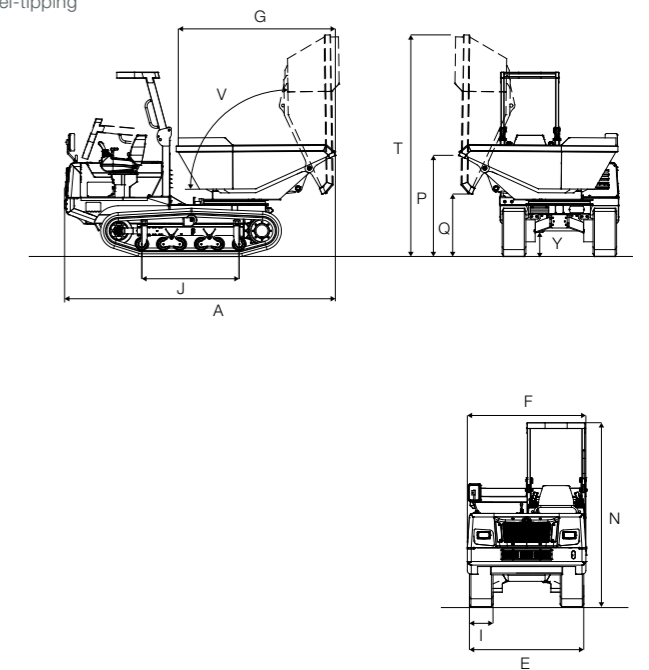
DT15 CONCRETE MIXER DT25 SWIVEL-TIPPING DT25 FRONT-TIPPING PLATFORM

DIMENSIONS

A	Length (without running board) mm	2,585	2,640	2,674	2,609
B	Length with self-loading system (without running board) mm	3,160	-	-	3,355
C	Length of running board mm	-	-	-	-
D	Height over running board mm	-	-	-	-
E	Undercarriage width mm	1,060	1,060	1,060	1,060
F	Skip width mm	1,054	1,080	1,102	1,000
G	Skip length mm	1,475	1,550	1,537	1,500
H	Width with self-loading system mm	1,120	-	-	1,121
I	Track width mm	230	230	230	230
J	Track length mm	1,100	1,100	1,100	1,100
K	Height over control console mm	-	-	-	-
L	Height over skip hand protector mm	-	-	-	-
M	Concrete mixer width mm	-	-	-	-
N	Height over ROPS rollbar mm	2,372	2,372	2,372	2,372
O	Height over ROPS rollbar (collapsed) mm	1,552	1,552	1,552	1,552
P	Height of skip front edge mm	770	596	1,205	1,104
Q	Dumping height mm	485	380	810	873
R	Height of skip front edge when raised mm	-	-	-	-
S	Dumping height of high-tipping skip when raised mm	-	-	-	1,963
T	Max. height, skip raised mm	2,070	2,040	2,380	2,390
U	Max. height, high-tipping skip raised mm	-	-	-	3,472
V	Skip dumping angle °	63	63	84	78
W	Running board retraction angle °	-	-	-	-
X	Control console width mm	-	-	-	-
Y	Ground clearance mm	224	224	224	224

A	Length (without running board) mm	2,403	3,692	3,295
B	Length with self-loading system (without running board) mm	3,250	-	-
C	Length of running board mm	-	-	-
D	Height over running board mm	-	-	-
E	Undercarriage width mm	1,060	1,550	1,550
F	Skip width mm	-	1,532	1,485
G	Skip length mm	-	2,122	1,775
H	Width with self-loading system mm	-	-	-
I	Track width mm	230	320	320
J	Track length mm	1,100	1,319	1,319
K	Height over control console mm	-	-	-
L	Height over skip hand protector mm	-	-	-
M	Concrete mixer width mm	-	-	-
N	Height over ROPS rollbar mm	2,372	2,500	2,500
O	Height over ROPS rollbar (collapsed) mm	1,552	1,870	1,870
P	Height of skip front edge mm	-	1,520	810
Q	Dumping height mm	-	848	468
R	Height of skip front edge when raised mm	-	-	-
S	Dumping height of high-tipping skip when raised mm	-	-	-
T	Max. height, skip raised mm	-	3,000	2,500
U	Max. height, high-tipping skip raised mm	-	-	-
V	Skip dumping angle °	-	90	60
W	Running board retraction angle °	-	-	-
X	Control console width mm	-	-	-
Y	Ground clearance mm	224	349	349

Swivel-tipping



* with self-loading system (SLS)

Technical data.

	DT05 P FRONT-TIPPING	DT05 P HIGH-TIPPING	DT05 D FRONT-TIPPING	DT05 D HIGH-TIPPING	DT08 P FRONT-TIPPING	DT08 D FRONT-TIPPING	DT08 D HIGH-TIPPING	DT08 D proline FRONT-TIPPING	DT08 D proline HIGH-TIPPING	DT08 D proline PLATFORM	DT08 D proline CONCRETE MIXER	DT12 FRONT-TIPPING	DT12 HIGH-TIPPING
GENERAL													
Operating weight kg	375	405	410	440	465/515*	515/565*	550	605/655*	700/750*	545	715/770*	655/705*	770/820*
Operating weight (with driver) kg	-	-	-	-	-	-	-	-	-	-	-	-	-
Transport weight kg	370	400	405	435	460/510*	510/560*	545	600/650*	695/745*	540	710/765*	650/700*	765/815*
Max. machine payload kg	500	350	500	350	800	800	450	800	450	800	420	1,200	750
Skip capacity - heaped m ³	0.313	0.205	0.313	0.205	0.387	0.387	0.28	0.387	0.28	0.3	0.29	0.446	0.28
Skip capacity - levelled m ³	0.273	-	0.273	-	0.334	0.334	0.2	0.334	0.2	0.21	0.18	0.393	0.2
Skip capacity - water level m ³	0.142	0.175	0.142	0.175	0.166	0.166	0.199	0.166	0.199	-	-	0.173	0.199
Self-loading system volume / load capacity m ³ / kg	-	-	-	-	0.065/110	0.065/110	-	0.065/110	0.065/110	-	0.038/65	0.065/110	0.065/110
ENGINE													
Manufacturer	Honda	Honda	Yanmar	Yanmar	Honda	Yanmar	Yanmar	Kubota	Kubota	Kubota	Kubota	Kubota	Kubota
Type	GX 200	GX 200	L70N6	L70N6	GX 270	L100AE	L100AE	Z-482	Z-482	Z-482	Z-482	Z-602 E	Z-602 E
Cylinders	1	1	1	1	1	1	1	2	2	2	2	2	2
Fuel type	Petrol	Petrol	Diesel	Diesel	Petrol	Diesel	Diesel	Diesel	Diesel	Diesel	Diesel	Diesel	Diesel
Max. engine output hp / kW	6.5/4.8	6.5/4.8	6.6/4.9	6.6/4.9	9/6.6	10/7.4	10/7.4	13/9,6	13/9,6	13/9,6	13/9,6	13.8/10,3	13.8/10,3
at rpm	3,600	3,600	3,600	3,600	3,600	3,600	3,600	3,600	3,600	3,600	3,600	3,200	3,200
Displacement cm ³	163	163	320	320	270	406	406	479	479	479	479	599	599
Max. torque daNm	1.08	1.08	1.8	1.8	1.91	2.25	2.25	3	3	3	3/3	3.7	3.7
at rpm	2,500	2,500	2,500	2,500	2,500	2,000	2,000	2,600	2,600	2,600	2,600	2,600	2,600
Cooling system	Air	Air	Air	Air	Air	Air	Air	Water	Water	Water	Water	Water	Water
ELECTRICS													
Battery	0	0	1	1	1	1	1	1	1	1	1	1	1
Voltage / Capacitance V / Ah	-	-	12/30	12/30	12/30	12/44	12 / 44	12/55	12/55	12 / 44	12/55	12/55	12/55
HYDRAULICS													
Pumps	-	-	-	-	-	-	-	Variable pump	Variable pump	Variable pump	Variable pump	Variable pump	Variable pump
Number	-	-	-	-	-	-	-	2	2	2	2	2	2
Flow rate - total l/min	-	-	-	-	-	-	-	28	28	28	28	2x35	2x35
Pumps	Gear pump	Gear pump	Gear pump	Gear pump	Gear pump	Gear pump	Gear pump	Gear pump	Gear pump	Gear pump	Gear pump	Gear pump	Gear pump
Number	3	3	3	3	3	3	3	1	1	1	1	1	1
Flow rate - total l/min	25	25	30	30	41	41	41	-	-	-	-	-	-
Flow rate - Work hydraulics l/min	14	14	19	19	20	20	20	7	7	7	7	28	28
Max. pressure drive hydraulics bar	190	190	190	190	175	175	175	200	200	200	200	200	200
Max. pressure work hydraulics bar	135	135	135	135	150	150	150	150	150	150	150	165	165
OTHER													
Travel speed	2	2	2	2	2/	2	2	1	1	1	1	1	1
1st gear km/h	0 - 1.8	0 - 1.8	0 - 1.6	0 - 1.6	0 - 2.1	0 - 2.1	0 - 2.1	0 - 4.2	0 - 4.2	0 - 4.2	0 - 4.2	0 - 4	0 - 4
2nd gear km/h	0 - 3.9	0 - 3.9	0 - 5.2	0 - 5.2	0 - 4.2	0 - 4.2	0 - 4.2	-	-	-	-	-	-
Ground pressure empty / loaded kg / cm ²	0.137 / 0.283	0.149 / 0.257	0.149 / 0.297	0.160 / 0.288	0.171 / 0.355 / 0.189 / 0.373*	0.188 / 0.372 / 0.206 / 0.390*	0.202 / 0,368	0.217 / 0.398 / 0.235 / 0.416*	0.253 / 0.416 / 0.271 / 0.434*	0.195 / 0,376	0.260 / 0.412 / 0.278 / 0.430*	0.208 / 0.589 / 0.223 / 0.604*	0.246 / 0.486 / 0.262 / 0.502*
Max. gradeability %	30	30	30	30	30	30	30	30	30	30	30	62	62
CAPACITIES													
Fuel tank l	3.6	3.6	3.3	3.3	6	5.5	5.5	9	9	9	9	9.7	9.7
Oil tank l	18	18	18	18	22	30	30	22.5	22.5	22.5	22.5	25.4	25.4

* Self-loading system

Technical data.

GENERAL	
Operating weight kg	
Operating weight (with driver) kg	
Transport weight kg	
Max. machine payload kg	
Skip capacity - heaped m ³	
Skip capacity - levelled m ³	
Skip capacity - water level m ³	
Self-loading system volume / load capacity m ³ / kg	
ENGINE	
Manufacturer	
Type	
Cylinders	
Fuel type	
Max. engine output hp / kW	
at rpm	
Displacement cm ³	
Max. torque daNm	
at rpm	
Cooling system	
ELECTRICS	
Battery	
Voltage / Capacitance V / Ah	
HYDRAULICS	
Pumps	
Number	
Flow rate – total l/min	
Pumps	
Number	
Flow rate – total l/min	
Flow rate – Work hydraulics l/min	
Max. pressure drive hydraulics bar	
Max. pressure work hydraulics bar	
OTHER	
Travel speed	
1st gear km/h	
2nd gear km/h	
Ground pressure empty / loaded kg / cm ²	
Max. gradeability %	
CAPACITIES	
Fuel tank l	
Oil tank l	

* Self-loading system

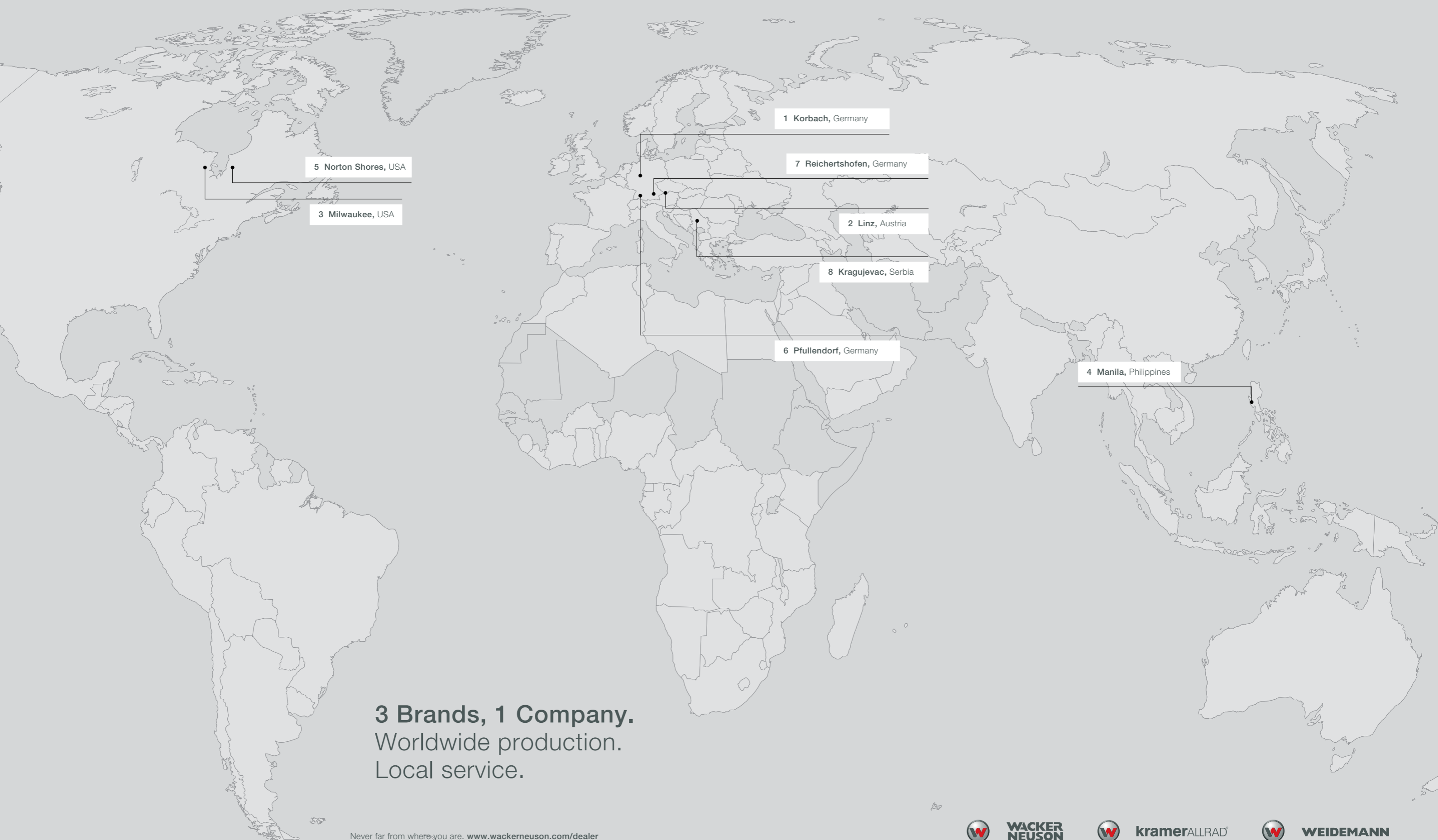
DT15 FRONT-TIPPING	DT15 3-WAY SIDE-TIP- PING PLATFORM	DT15 SWIVEL-TIPPING	DT15 HIGH-TIPPING	DT15 CONCRETE MIXER	DT25 SWIVEL-TIPPING	DT25 FRONT-TIPPING PLATFORM
1,060/1,205*	1,105	1,340	1,345/1,485*	1,375	2,765	2,535
1,135/1,280*	1,180	1,415	1,420/1,560*	1,450	2,840	2,610
1,040/1,185*	1,085	1,320	1,325/1,465*	1,355	2,730	2,500
1,500	1,500	1,500	1,000	1,500	2,500	2,500
0.8	0.69	0.76	0.65	0.36	1.5	1.28
–	0.52	0.632	–	–	1.125	0.92
–	–	0.375	–	–	0.77	–
0.13/210	–	–	–	0.07/210	–	–
Kubota	Kubota	Kubota	Kubota	Kubota	Kubota	Kubota
D-902	D-902	D-902	D-902	D-902	V-2403 M	V-2403 M
3	3	3	3	3	4	4
Diesel	Diesel	Diesel	Diesel	Diesel	Diesel	Diesel
20.3/15,2	20.3/15,2	20.3/15,2	20.3/15,2	20.3/15,2	48/35,8	48/35,8
3,200	3,200	3,200	3,200	3,200	2,600	2,600
898	898	898	898	898	2,434	2,434
5.6	5.6	5.6	5.6	5.6	16.3	16.3
2,600	2,600	2,600	2,600	2,600	1,600	1,600
Water	Water	Water	Water	Water	Water	Water
1	1	1	1	1	1	1
12/60	12/60	12/60	12/60	12/60	12/105	12/105
Variable pump	Variable pump	Variable pump	Variable pump	Variable pump	Variable pump	Variable pump
2	2	2	2	2	2	2
2x 28	2x 28	2x 28	2x 28	2x 28	2x 71	2x 71
Gear pump	Gear pump	Gear pump	Gear pump	Gear pump	Gear pump	Gear pump
1	1	1	1	1	2	2
–	–	–	–	–	43	43
20	20	20	20	20	45	45
270	270	270	270	270	330	330
170	170	170	170	170	175	175
2	2	2	2	2	2	2
0 – 4	0 – 4	0 – 4	0 – 4	0 – 4	0 – 5.5	0 – 5.5
0 – 7.5	0 – 7.5	0 – 7.5	0 – 7.5	0 – 7.5	0 – 11	0 – 11
0.22/0,49	0.2/0,47	0.22/0,49	0.27/0,44	0.28/0,51	0.244/0,499	0.244/0,499
62	62	62	62	62	70	70
24	24	24	24	24	55	55
25	25	25	25	25	30	30

	DT05	DT08	DT12	DT15	DT25
FRONT-TIPPING SKIP					
heaped m ³	0.313	0.387	0.446	0.8	-
levelled m ³	0.273	0.334	0.393	-	-
water level m ³	0.142	0.166	0.173	-	-
HIGH-TIPPING SKIP					
heaped m ³	0.205	0.28	0.28	0.65	-
levelled m ³	-	0.200	0.2	-	-
water level m ³	0.175	0.199	0.199	-	-
SWIVEL-TIPPING SKIP					
heaped m ³	-	-	-	0.76	1.5
levelled m ³	-	-	-	0.632	1.125
water level m ³	-	-	-	0.375	0.77
PLATFORM					
heaped m ³	-	0.3	-	0.69	1.28
levelled m ³	-	0.21	-	0.52	0.92
CONCRETE MIXER					
heaped m ³	-	0.29	-	0.36	-
levelled m ³	-	0.18	-	-	-

Options.

	DT05 P	DT05 D	DT08 P	DT08 D	DT08 proline	DT12	DT15	DT25
SKIP OPTIONS								
Front-tipping skip	●	●	●	●	●	●	●	-
Self-loading system for front-tipping skip	-	-	●	●	●	●	●	-
Quick-change stands for front-tipping skip with SLS	-	-	-	-	●	-	-	-
High-tipping skip	●	●	-	●	●	●	●	-
Self-loading system for high-tipping skip	-	-	-	-	●	●	●	-
Swivel-tipping skip	-	-	-	-	-	-	●	●
Front-tipping platform	-	-	-	-	●	-	-	●
3-way side-tipping platform	-	-	-	-	-	-	●	-
Reinforced 3-way side-tipping platform	-	-	-	-	-	-	●	-
Concrete mixer	-	-	-	-	●	-	●	-
Self-loading system for concrete mixer	-	-	-	-	●	-	●	-
Quick-change stands for concrete mixer with SLS	-	-	-	-	-	-	-	-
500 l water tank	-	-	-	-	-	-	●	-
MACHINE OPTIONS								
Manual starter	S	-	-	-	-	-	-	-
Electrical starter	-	S	S	-	S	S	S	S
Operating hours meter	S	S	S	S	S	S	S	S
Engine cover	S	S	S	S	S	S	S	S
Running board	S	S	S	S	S	S	-	-
Driver's seat	-	-	-	-	-	-	S	S
1 driving speed	-	-	-	-	S	S	-	-
2 driving speeds	S	S	S	S	-	-	S	S
Bio-Oil	●	●	●	●	●	●	●	●
Special paint	●	●	●	●	●	●	●	●
Dozer blade	-	-	-	-	-	-	-	●
Trailer eyelet	-	-	-	-	-	-	-	●
PTO auxiliary hydraulics	-	-	-	●	●	●	S	●

S standard
● optional



1 Korbach, Germany

7 Reichertshofen, Germany

2 Linz, Austria

8 Kragujevac, Serbia

6 Pfullendorf, Germany

4 Manila, Philippines

5 Norton Shores, USA

3 Milwaukee, USA

3 Brands, 1 Company.
Worldwide production.
Local service.

Never far from where you are. www.wackerneuson.com/dealer





WACKER NEUSON FACTORY LINZ: MADE IN AUSTRIA, IN DEMAND WORLDWIDE.

The factory in Linz (AUT) is the development and production site for compact excavators, mini-excavators, Skid Steer Loaders, wheel dumpers and track dumpers. So many innovations that have made their triumphant way around the world started out right here.

MANUFACTURING SITES

- 1 KORBACH, GERMANY**
Wheel loaders (articulated frame)
Mini-telehandlers
- 2 LINZ, AUSTRIA**
Mini- and compact excavators
Mobile excavators
Skid Steer Loaders
Wheel and track dumpers
- 3 MILWAUKEE, USA**
Trowels
Wet screeds
Rammers
Rollers
Trench rollers
Portable generators
Mobile generators
Pumps
- 4 MANILA, PHILIPPINES**
Forward travelling vibratory plate
Wet screeds
- 5 NORTON SHORES, USA**
Ground heaters
Air heaters
Lighting installations
- 6 PFULLENDORF, GERMANY**
Wheel loaders (all-wheel steering)
Tele wheel loaders
Telehandlers
- 7 REICHERTSHOFEN, GERMANY**
Internal and external vibrators
Frequency converters
Reversible Vibratory plates
Breakers
Cut-off saws
Joint cutters
Reinforcement equipment
Spare parts
- 8 KRAGUJEVAC, SERBIA**
Component manufacture



Model overview.

TRACK EXCAVATORS

up to 1t	803
1 – 2t	1404, 1703
2 – 3t	2003, 2404, 2503, 28Z3
3 – 4t	3505, 38Z3
4 – 5t	50Z3
5 – 6t	6003
6 – 8t	75Z3, 8003
12 – 14t	14504



MOBILE EXCAVATORS

up to 6t	6503
8 – 11t	9503



WHEEL DUMPERS

up to 2t	1001, 1501, 1601
2 – 5t	2001, 3001, 4001, 5001
6 – 9t	6001, 9001
over 9t	10001



TRACK DUMPERS

0.5t	DT05
0.8t	DT08, DT08 proline
1.2t	DT12
1.5t	DT15
2.5t	DT25



COMPACT LOADERS

443 – 567 kg	501s
613 – 726 kg	701s, 701sp
795 – 908 kg	901s, 901sp
1,035 – 1,170kg	1101c, 1101cp



The Wacker Neuson value wheel: The success of the customer is our central concern.



The values of a medium-sized family company that is listed on the stock exchange; the strengths and constantly evolving skills of a globally active organisation; combined with the people who embody both these qualities out of conviction, and who every day inject fresh ideas and vitality into the enterprise: these are our greatest assets.

All this offers the best possible guarantee for the sustained success of our customers. Quality, innovation, performance and character make us the strategic partner of leading companies worldwide.



www.wackerneuson.com