






5 SERIES



 TIPPING LOAD 1200* kg	 ENGINE POWER 25 hp	 SPEED 14 km/h	 FLOW RATE 50* l/min	 LIFT HEIGHT 2,75 m
---	--	---	---	--

(*) 5.3K

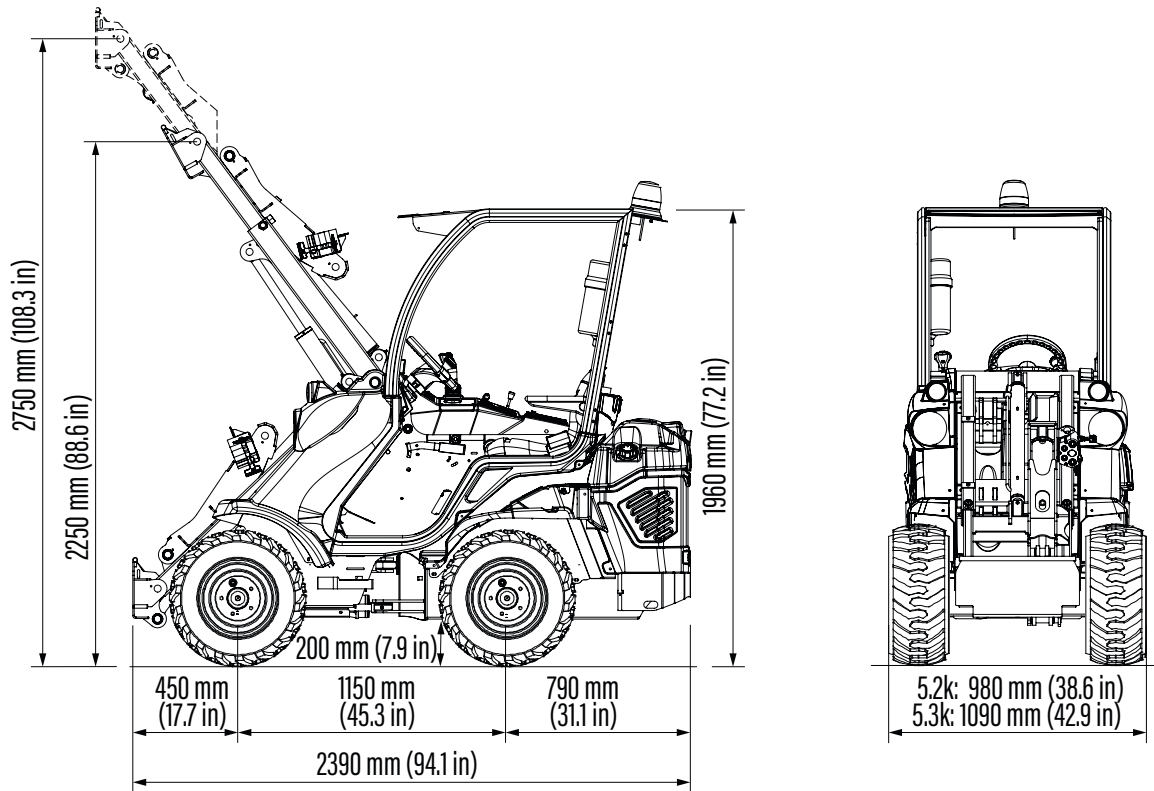
ACI
ATTACHMENT
CONTROL
INTERFACE



Model	5.2 K	5.3 K
Engine	Kubota D902, 3 cyl. - 898 cc.	Kubota D1305, 3 cyl. - 1261 cc.
Emission Standard	Stage V and Tier 4 Final	
Power (Iso Gross) / Torque	25 HP / 55 Nm @ 2400 rpm	25 HP / 85 Nm @ 1700 rpm
Fuel	Diesel	
Transmission	Hydrostatic	
Drive speed (max.) ⁽¹⁾	14 km/h (8.7 mph)	12,5 km/h (7.8 mph)
Aux. hydraulics oil flow	34 l/min (9 GPM)	50 l/min (13.2 GPM)
Max. lifting height	2,75 m (108 in)	
Tipping load, max ⁽²⁾	1020 kg (2249 lbs)	1200 kg (2645 lbs)
Lifting capacity straight ⁽³⁾	820 kg (1808 lbs)	900 kg (1984 lbs)
Lifting capacity fully articulated ⁽⁴⁾	700 kg (1543 lbs)	740 kg (1631 lbs)
Breakout force / 50 cm (19.7 in)	800 kg (1764 lbs)	
Pushing force (c)	900 kgf (900 kp)	
Average ground pressure (w/standard tires)	905 kg/m ² (185 lbs/sqft)	854 kg/m ² (175 lbs/sqft)
Turning radius: inside/outside	890/1890 mm (35/74.4 in)	800/2000 mm (31.5/78.7 in)
Standard tires (Tractor profile)	23x8.50-12	23x10.50-12
Weight	1020 kg (2250 lbs)	1070 kg (2360 lbs)
Product Code	C977017	C977038

⁽¹⁾ Maximum speed that can be achieved with the largest diameter tires available, on a flat surface and machine without attachments. ⁽²⁾ Maximum load that can be lifted just off the ground when the machine is straight, with rear weights and boom not extended. Weight of attachment included. ⁽³⁾ Machine straight, with rear weights and boom not extended. Weight of attachment is included. (80% of tipping load) ⁽⁴⁾ Machine fully articulated, with rear weights and boom not extended. Weight of attachment is included.

MULTI ONE



Tires size	Height	Width
23x8.50-12	1960 mm (77.2 in)	980 mm (38.6 in)
23x10.50-12 ET-25	1960 mm (77.2 in)	1090 mm (42.9 in)
27x8.50-15	2010 mm (79.1 in)	1000 mm (39.4 in)
26x12.00-12 ET-50	1998 mm (78.6 in)	1200 mm (47.2 in)

FEATURES

- Kubota D902, 3 cyl. - 898 cc or Kubota D1305, 3 cyl. -1261 cc, diesel engine water cooled, electric start, glow plug
- Stage V and Tier 4 Final compliant engines
- Hi-Flow system (5.3K only)
- Multi-functions joystick with ACI (5.3K only)
- Torque Divider
- Unbreakable Body Panels
- Self-levelling double-H telescopic boom
- Hydraulically pilot operated variable displacement drive pump
- Hydraulic oil cooler
- Hydraulic multiconnector
- ROPS-FOPS Level I
- LCD graphic display with programmed service
- 4WD hydrostatic Direct Drive motors, proportional servo control
- 2 front working light
- Ergonomic heated seat with armrests and seat belt, adjustable position
- Mechanical parking brake
- Dynamic Block System (DBS)
- High efficiency wheel motors

4 - 5 SERIES - OPTIONS

Options	Code
110 V engine block heater	C885255
220 V engine block heater	C885250
2" Hitch receiver	C883062
3 additional working halogen light	C883064
3 additional working LED light	C883018
Additional front hydraulic outlets (5.3 only)	C883503
Attachment coupling plate for rear mounting	C880031
Backup warning beeper	C883512
Beacon light	C883039
Biodegradable oil	C883058
Driver area cover	C880049
Flat face coupling kit	C880221
Floating boom valve	C885223
Floating boom valve for 4.2 without self-leveling boom	C883401
Fully enclosed cab with sound insulation linen and mirrors	C883510
GPS tracker	C883075
Heating system	C883073
Left protection bar for operator	C885026
Multifunction joystick (4.2 and 5.2 only)	C883061
Plexiglass back window (smart cabin)	C883508
Plexiglass right side (smart cabin)	C883507
Plexiglass windscreen (smart cabin)	C883506
Rear 12V electric socket	C883022
Rear bull bar	C883047
Rear hydraulic outlets - double	C883502
Rear hydraulic outlets - single	C883501
Rear side weights 80 kg (40 kg + 40 kg) / 176 lbs (88 lbs + 88 lbs)	C883076
Rear weights 180 kg (90 kg + 90 kg) / 396 lbs (198lbs + 198 lbs)	C880054
Skid tires 27x8.50-15, set of 4	C884011

4 - 5 SERIES - OPTIONS

Options	Code
Snow chains for wheel	see page 63
Tie down bracket on wheel hub, set of 4	C883068
Torque divider	C883004
Tractor tires 23x10.50-12 ET-25, set of 4	C884007
Tractor tires 23x8.50-12, set of 4	C884005
Tractor tires 26x12.00-12 ET-50, set of 4	C884009
Trailer coupling	C885014
Turf tires 23x10.50-12 ET-25, set of 4	C884008
Turf tires 23x8.50-12, set of 4	C884006
Turf tires 26x12.00-12 ET-50, set of 4	C884010
Warning & Safety lights for road travel with mirrors	C883511
Wheel spacer 10 mm (0.4 in), set of 4 (max. 2 pcs for wheel)	C880090
Wheel spacer 55 mm (2.2 in), set of 4	C885010